



CD : COMMERCIAL DOWNLIGHT

DESCRIPTION

CD Commercial Downlights are economical LED options with multiple “set and forget” lumen stops and CCT options in each fixture. Available in 4”, 6”, 8”, and 10” options, CD Downlights feature a spring installation that can be installed directly in the ceiling without a housing.

FEATURES

- Provides comfortable diffused light
- 0-10V dimming
- 85° beam angle
- PowerSet feature allows for multiple “set and forget” lumen stops
- FieldCCeT feature allows for multiple “set and forget” CCT options
- Suitable for new construction or remodel applications*
- Flexible steel conduit with 1/2” KO (3/8” Trade Size) snap in connector

LISTINGS

- ETL Listed for Wet Locations
- ENERGY STAR® Approved for superior energy efficiency
- Type IC for insulation contact

PERFORMANCE

- Rated lifetime L85 > 60,000 hours; L90 > 40,000 hours
- PowerSet: 4”: 12/8/6W 6”: 16/12/8W
8”: 22/16/12W 10”: 33/26/22W
- FieldCCeT: 3000K/3500K/4000K selectable
- CRI: >80

ELECTRICAL

- Input voltage: 120-277VAC 50/60Hz
- 0-10V dimming
- Power Factor: >0.9
- THD: <20%

THERMAL

- -4°F to 104°F (-20°C to 40°C); Insulation Contact -4°F to 77°F (-20°C to 25°C)

CONSTRUCTION

- Deep recessed light source for lower glare
- Powder coated aluminum reflector and trim

WARRANTY

- 5 year limited warranty; see eiko.com for warranty details
- Additional warranty options available; consult EiKO for details

*Verify fit prior to installation, not suitable for enclosed cans or for use with pin base or screw base applications.

| | |
|----------------|---------|
| project name | type |
| catalog number | |
| comments | voltage |
| approved by | date |



Multiple “set and forget” lumen and CCT stops in each fixture

APPLICATIONS

- Hotel Lobby
- Shopping Center
- Supermarket
- Recreation Center
- Public Areas
- Corridors
- Offices
- Schools
- Hospitality
- Retail



ORDERING INFORMATION

EXAMPLE: CD4/PS12/FCCT/UD

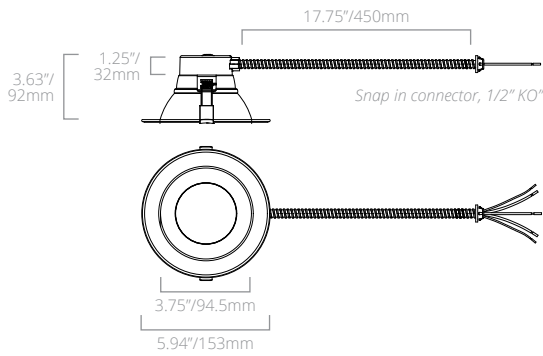
| Model | Size | PowerSet | FieldCCeT | Voltage | Dimming |
|---------------------------|--|---|--------------------|----------------|-------------------|
| CD : Commercial Downlight | 4 - 4" 6 - 6" 8 - 8" 10 - 10" | PS12 - 12/8/6W PS16 - 16/12/8W PS22 - 22/16/12W PS33 - 33/26/22W | FCCT - 30/35/4000K | U - 100-277VAC | D - 0-10V dimming |

PERFORMANCE SUMMARY

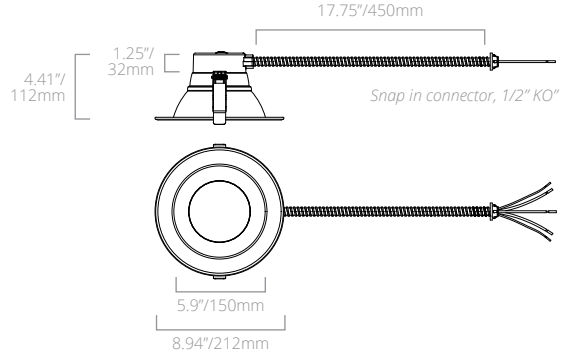
| Order Code | Item # | Size | PowerSet | Lumens | FieldCCeT | CRI | Volts | Dimming | ES |
|------------|-------------------|------|-----------|-------------|-------------|-----|------------|---------|----|
| 11024 | CD4/PS12/FCCT/UD | 4" | 12/8/6W | 540-1,140 | 30/35/4000K | 80+ | 120-277VAC | 0-10V | ★ |
| 11025 | CD6/PS16/FCCT/UD | 6" | 16/12/8W | 760-1,525 | 30/35/4000K | 80+ | 120-277VAC | 0-10V | ★ |
| 11026 | CD8/PS22/FCCT/UD | 8" | 22/16/12W | 1,280-2,125 | 30/35/4000K | 80+ | 120-277VAC | 0-10V | ★ |
| 11027 | CD10/PS33/FCCT/UD | 10" | 33/26/22W | 2,125-3,140 | 30/35/4000K | 80+ | 120-277VAC | 0-10V | ★ |

★ENERGY STAR® Approved

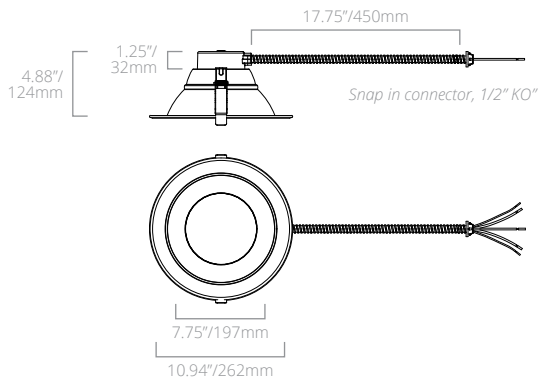
DIMENSIONS



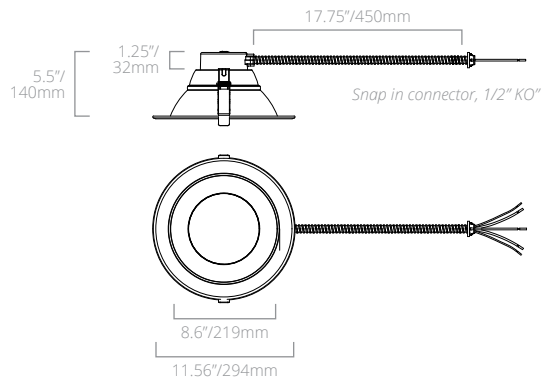
CD4



CD6



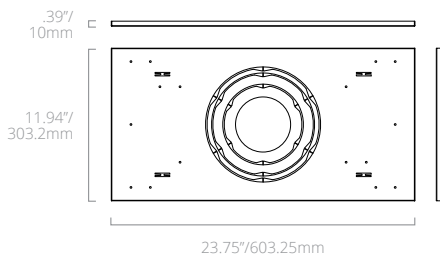
CD8



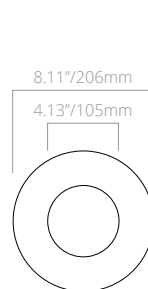
CD10

AVAILABLE ACCESSORIES

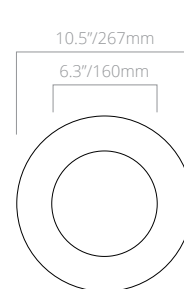
| Order Code | Item # | Description |
|------------|-----------|-------------------------------|
| 11160 | CDRANCPTG | New Construction Plate T-Grid |
| 11161 | CDRAGR4 | Goof Ring 4" |
| 11162 | CDRAGR6 | Goof Ring 6" |
| 11163 | CDRAGR8 | Goof Ring 8" |



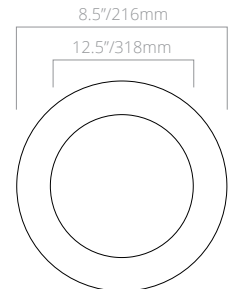
New Construction Plate T-Grid
(Includes knockouts for 4", 6", and 8")



Goof Ring 4"



Goof Ring 6"

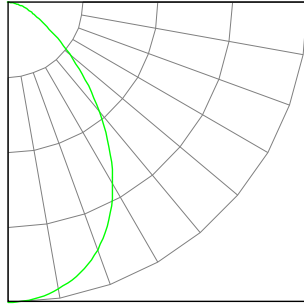


Goof Ring 8"

PHOTOMETRICS

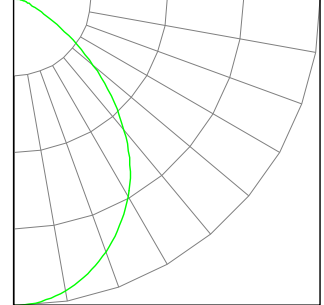
CD4/PS12/FCCT/UD (Typical performance @12W, 4000K)

| ZONAL LUMEN SUMMARY | | |
|---------------------|--------|----------|
| Zone | Lumens | %Fixture |
| 0-30 | 411.56 | 42.4% |
| 0-40 | 620.41 | 63.9% |
| 0-60 | 879.40 | 90.5% |
| 0-80 | 965.57 | 99.4% |
| 0-90 | 971.54 | 100% |
| 60-80 | 86.17 | 8.9% |
| 70-80 | 29.89 | 3.1% |
| 80-90 | 5.97 | 0.6% |
| 0-180 | 971.54 | 100% |



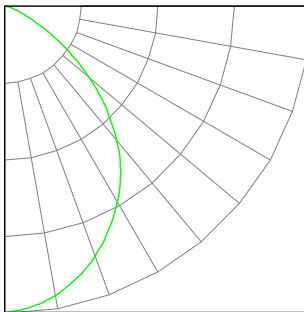
CD6/PS16/FCCT/UD (Typical performance @16W, 4000K)

| ZONAL LUMEN SUMMARY | | |
|---------------------|---------|----------|
| Zone | Lumens | %Fixture |
| 0-30 | 543.60 | 39.8% |
| 0-40 | 848.38 | 62.1% |
| 0-60 | 1255.73 | 91.9% |
| 0-80 | 1356.66 | 99.3% |
| 0-90 | 1365.67 | 100% |
| 60-80 | 100.93 | 7.4% |
| 70-80 | 33.02 | 2.4% |
| 80-90 | 9.01 | 0.7% |
| 0-180 | 1365.67 | 100% |



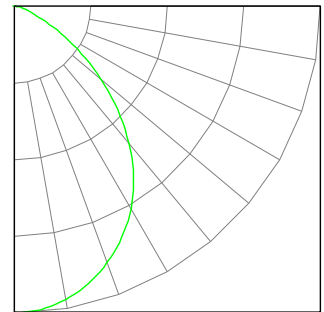
CD8/PS22/FCCT/UD (Typical performance @22W, 4000K)

| ZONAL LUMEN SUMMARY | | |
|---------------------|---------|----------|
| Zone | Lumens | %Fixture |
| 0-30 | 861.75 | 37.7% |
| 0-40 | 1362.22 | 59.5% |
| 0-60 | 2100.86 | 91.8% |
| 0-80 | 2274.6 | 99.4% |
| 0-90 | 2287.7 | 100% |
| 60-80 | 173.73 | 7.6% |
| 70-80 | 46.74 | 2.0% |
| 80-90 | 13.10 | 0.6% |
| 0-180 | 2287.7 | 100% |



CD10/PS33/FCCT/UD (Typical performance @33W, 4000K)

| ZONAL LUMEN SUMMARY | | |
|---------------------|---------|----------|
| Zone | Lumens | %Fixture |
| 0-30 | 1176.66 | 38.1% |
| 0-40 | 1852.87 | 60.0% |
| 0-60 | 2830.71 | 91.7% |
| 0-80 | 3069.2 | 99.4% |
| 0-90 | 3087.65 | 100% |
| 60-80 | 238.49 | 7.7% |
| 70-80 | 67.22 | 2.2% |
| 80-90 | 18.45 | 0.6% |
| 0-180 | 3087.65 | 100% |



SCALING FACTORS

| FIXTURE | WATTS | 3000K | 3500K | 4000K |
|---------|-------|-------|-------|-------|
| 4" | 6 | 0.55 | 0.58 | 0.58 |
| | 8 | 0.72 | 0.76 | 0.76 |
| | 12 | 0.97 | 1.03 | 1.00 |
| 6" | 8 | 0.56 | 0.58 | 0.58 |
| | 12 | 0.77 | 0.81 | 0.79 |
| | 16 | 0.97 | 1.04 | 1.00 |
| 8" | 12 | 0.53 | 0.56 | 0.56 |
| | 16 | 0.69 | 0.74 | 0.73 |
| | 22 | 0.94 | 1.03 | 1.00 |
| 10" | 22 | 0.65 | 0.70 | 0.69 |
| | 26 | 0.81 | 0.86 | 0.84 |
| | 33 | 0.96 | 1.03 | 1.00 |